

GA11W-Threaded Gate Valve-200Psi



GENERAL CHARACTERISTICS

- Full bore
- Non-rising stem
- Solid disc
- Design:ASME B16.34
Test:API 598
- End Connections:Threaded End
- Threaded Type:ANSI B1.20.1(NPT)
ISO 7/1(BSPT,BSP)

WORKING CONDITIONS

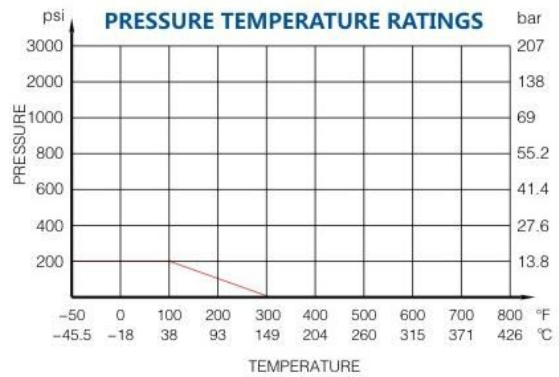
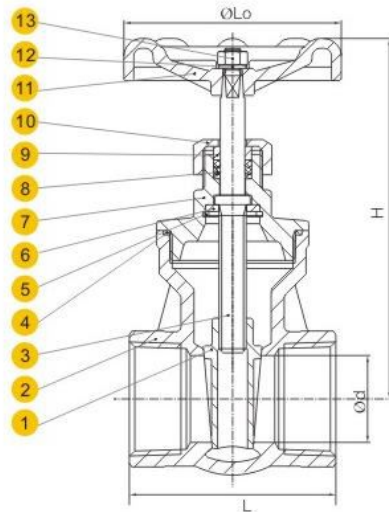
- Working Pressure:200Psi
- Temperature Range:-20° to 302°F
- Applicable medium:Water,Oil,Gas



MATERIALS LIST

13	NUT	1	A194 8
12	SPRING WASHER	1	304
11	HANDWHEEL	1	ZL101
10	BONNET NUT	1	A351 CF8
9	GLAND	1	304
8	PACKING	1	PTFE
7	BONNET	1	A351 CF8M
6	WASHER	1	A240 316
5	RING	1	A240 316
4	GASKET	1	PTFE
3	STEM	1	A276 316
2	BODY	1	A351 CF8M
1	DISC	1	A351 CF8M
No.	DESCRIPTION	Q'TY	MATERIAL

Note:Please contact us for other material requirements.



DIMENSIONS-200Psi

SIZE	L	d	Lo	H	Weight(lb)
1/2"	2.17	0.55	2.76	3.62	0.79
3/4"	2.36	0.79	2.76	3.98	1.07
1"	2.68	0.98	3.15	4.45	1.5
1 1/4"	2.99	1.26	3.15	5.24	2.18
1 1/2"	3.15	1.58	3.94	6.02	3.22
2"	3.66	1.97	3.94	6.73	4.78
2 1/2"	4.65	2.48	5.51	8.07	11.8
3"	5.43	2.84	5.51	8.9	15.65