

- NOTE:
1. Design and Manufacture for valve according to API 600.
  2. Face-to-face dimensions for valve according to ASME B16.10-2009.
  3. End flange dimensions for valve according to ASME B16.5-2009.
  4. Inspection and Test for valve according to API 598-2009.

Nominal pressure	300LB		
	Shell test	test medium	Test temperature
7.5	7.5	water	normal temperature
5.5	5.5	water	Test temperature
0.6	0.6	air	normal temperature
Applicable medium	water, oil, gas		
Applicable temperature	-20~797°F		

NPS	L	D	D1	D2	C	f	n-φb	Weight (lb)
1 1/2"	7.480	6.142	4.500	2.874	0.827	0.063	4-φ0.866	25.353
2"	8.504	6.496	5.000	3.622	0.906	0.063	8-φ0.748	42.329
2 1/2"	9.488	7.480	5.882	4.114	1.024	0.063	8-φ0.866	52.911
3"	11.142	8.268	6.622	5.000	1.142	0.063	8-φ0.866	77.162
4"	12.008	10.000	7.882	6.181	1.260	0.063	8-φ0.866	106.924
5"	15.000	10.984	9.252	7.303	1.378	0.063	8-φ0.866	213.848
6"	15.866	12.520	10.630	8.504	1.457	0.063	12-φ0.866	233.690
8"	16.496	15.000	12.992	10.630	1.654	0.063	12-φ0.984	447.538

NO.	DESCRIPTION	Q'TY	MATERIAL
1	BODY	1	A351 CF8M
2	SEAT RING	2	A351 CF8M
3	WEDGE	1	A351 CF8M
4	STEM	1	A182 F316
5	GASKET	1	SS316+Graphite
6	BONNET	1	A351 CF8M
7	STUD	-	A193 B8M
8	NUT	-	A194 8M
9	BACKSEAT	1	A351 CF8M
10	PACKING	1	Graphite
11	PIN	2	Stainless Steel
12	GLAND BOLT	2	A193 B8M
13	GLAND NUT	2	A194 8M
14	BUSHING	1	Stainless Steel
15	GLAND	1	A351 CF8M
16	STEM NUT	1	ZcuAl10Fe3 Bronze
17	LUBRICATOR	1	Cu
18	RETAINING NUT	1	CS+Cr
19	HANDWHEEL	1	A47
20	H. W. LOCK NUT	1	CS+Cr

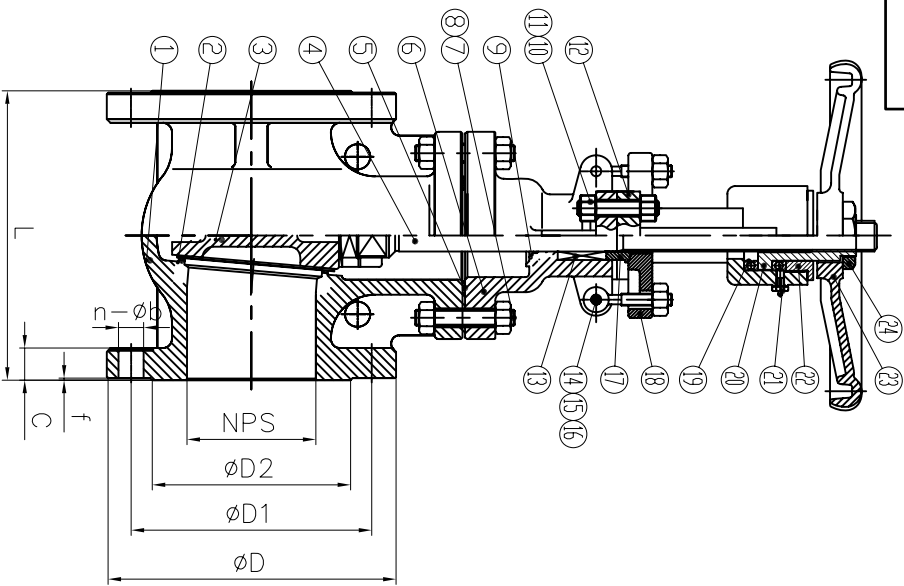
**ANIX®**

ANIX VALVE CO., LTD  
Flange Gate Valve  
300LB, CF8M

GA40WG6F/300

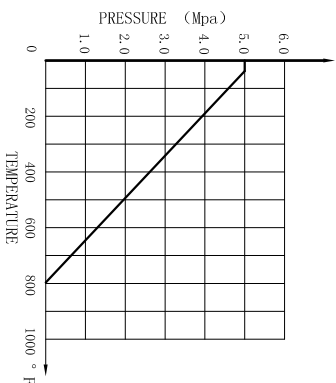
MARK	BEFORE MODIFIED	AFTER MODIFIED	DATE
DRAW.		APP.	
CHK.		DATE	

SCALE



- NOTE:
1. Design and Manufacture for valve according to API 600.
  2. Face-to-face dimensions for valve according to ASME B16.10-2009.
  3. End flange dimensions for valve according to ASME B16.5-2009.
  4. Inspection and Test for valve according to API 598-2009.

NPS	L	D	D1	D2	C	f	n-φb	Weight (lb)
10"	17.992	17.520	15.256	12.756	1.890	0.063	16-φ1.142	687.842
12"	19.764	20.512	17.756	15.000	2.008	0.063	16-φ1.260	-
Nominal pressure		300LB						
Test pressure	Shell test	7.5						
	seal test	5.5						
Test pressure	Gas seal test	0.6		water	Test temperature	normal temperature		
	test			air	temperature	temperature		
Applicable medium		water,oil,gas						
Applicable temperature		-20~797°F						



24	H. W. LOCK NUT	1	CS+Cr
23	HANDWHEEL	1	A47
22	RETAINING NUT	1	CS+Cr
21	LUBRICATOR	1	Cu
20	STEM NUT	1	ZcuAl10Fe3 Bronze
19	BEARING	2	CS
18	GLAND	1	A351 CF8M
17	BUSHING	1	Stainless Steel
16	GLAND NUT	2	A194 8M
15	GLAND BOLT	2	A193 B8M
14	PIN	2	Stainless Steel
13	PACKING	1	Graphite
12	YOKE	1	A351 CF8M
11	NUT	-	A194 8M
10	STUD	-	A193 B8M
9	BACKSEAT	1	A351 CF8M
8	NUT	-	A194 8M
7	STUD	-	A193 B8M
6	BONNET	1	A351 CF8M
5	GASKET	1	SS316+Graphite
4	STEM	1	A182 F316
3	WEDGE	1	A351 CF8M
2	SEAT RING	2	A351 CF8M
1	BODY	1	A351 CF8M
NO.	DESCRIPTION	Q'TY	MATERIAL
<div style="text-align: center;"> </div>		ANIX VALVE CO., LTD	
		Flange Gate Valve 300LB, CF8M	
MARK	BEFORE MODIFIED	AFTER MODIFIED	DATE
DRG.		APP.	
CHK.		DATE	
		SCALE	
		GA40W6F/300	