

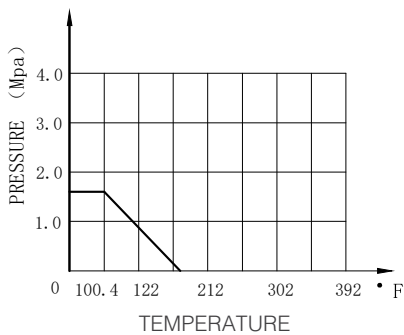
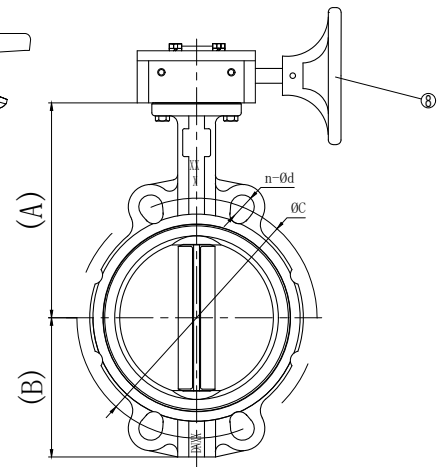
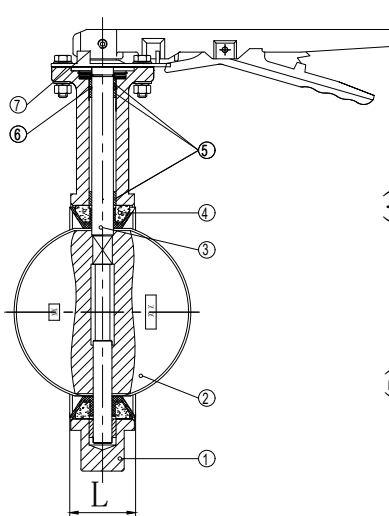
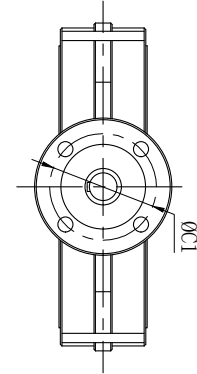
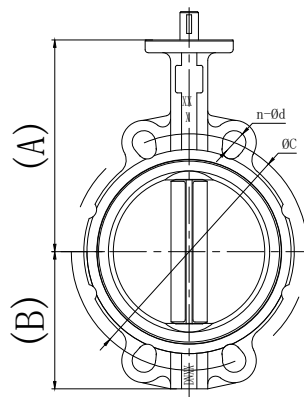
Wafer Style Butterfly Valve 200 PSI



GENERAL CHARACTERISTICS

Comply with ISO 5752/ BS 5155
 BS EN 593/MSS SP-67/API 609
 Lever / Worm Gear Operator, Epoxy Coated

8	Worm Gear	/
7	Handle	/
6	O-Ring	NBR
5	Axle Sleeve	PTFE
4	Seat	NBR/EPDM
3	Stem	2Cr13
2	Disc	Ni-Di/CF8M
1	Body	DI
Item	Name	Material



DN	INCH	L	A	B	ISO5211	ANSI 150	
					Top Flange	ØC	n-Ød
50	2	1.69	6.34	2.64	F05	4.75	4- $\phi\frac{3}{4}$
65	2.5	1.81	6.54	2.95	F05	5.5	4- $\phi\frac{3}{4}$
80	3	1.81	6.81	3.78	F05	6	4- $\phi\frac{3}{4}$
100	4	2.05	7.36	4.49	F07	7.5	8- $\phi\frac{3}{4}$
125	5	2.2	7.64	4.96	F07	8.5	8- $\phi\frac{7}{8}$
150	6	2.2	8.5	5.51	F07	9.5	8- $\phi\frac{7}{8}$
200	8	2.36	10.08	6.46	F10	11.75	8- $\phi\frac{7}{8}$
250	10	2.68	11.26	8.07	F10	14.25	12- $\phi 1$
300	12	3.07	12.87	9.33	F10	17	12- $\phi 1$
350	14	3.07	13.7	10.24	F10	18.75	12- $\phi 1\frac{1}{8}$

Part Number Decoder

Butterfly Valve Part Number

BF 71 D N G L /100

Butterfly Valve

Design Number	
	Resilient Seated
	High Performance Double Offset
	Triple Offset

Disc	
D	Ductile Iron Disc
S	SS316 Disc

Seat	
N	Buna
E	EPDM
V	Viton
M	Metal to Metal
R	RPTFE
F	PTFE

Connection Type	
L	Lug
W	Wafer
F	Flanged

Size	
200	2"
250	2-1/2"
300	3"
400	4"
500	5"
600	6"
800	8"
1000	10"
1200	12"

Body	
G	Ductile Iron Epoxy Coated
4	Stainless Steel 304
5	Carbon Steel A216
6	Stainless Steel 316